

移动式称重设备的应用

MOBILE WEIGHING



检查来料

Checking Incoming Goods

当货物从货车上卸下时，对其进行来料检查。如果被查出来料有缺失，你可以对该问题立即作出反应以防止出现库存异常，或影响生产进程。Check incoming goods while they are being offloaded from the freight truck. If an incomplete delivery is identified, you can react on the spot to prevent stock differences and interrupted production processes.



预防拣选误差

Preventing Picking Errors

直接在拣选车辆上对订购货物进行称重可防止拣选误差：如果你知道单体物品重量，你可以通过货物重量来检查每个订单的货物及其数量是否正确。（备注：计件功能不适用于外部贸易）Weighing on order picking trucks helps prevent picking errors: if you know your article weight, you can check per order line, via the weight, whether the right amount of the right article has been picked. (Note: Piece counting feature is not legal for trade.)



填充、混合和定量给料

Filling, Mixing and Dosing

对桶状、箱状和大袋货物进行精确填料加注作业意味着物料没有不必要的损耗。在运输过程中直接在叉车上对箱体进行称重将会使你的填充作业变得更高效、更灵活。Accurate filling of drums, containers and big bags means there is no unnecessary loss of material. By weighing the containers during transport on a forklift you achieve a higher efficiency and flexibility in your filling processes.



在您搬运产品的同时进行称重，既省时又省钱
Save time and money by weighing your product as you move it.



预防过载

Preventing Overloads

避免昂贵和危险物品在货车运输或货架存放时出现过载。这种移动式称重设备可在叉持每个托盘时对其进行称重以确保托盘货物的重量在推荐值范围内且永远不会超载。Avoid the expenses and dangers of overloading freight trucks or warehouse racks. Mobile scales weigh every pallet as they are loaded to ensure the recommended weight is never exceeded.



废料控制

Waste Control

监测废料动向并掌握整条生产线在每个环节产生多少废料，这是实现废料控制并将废料最小化的第一步。Monitoring waste flows and knowing how much waste is produced at each spot in the production line, is the first step towards controlling and minimizing waste.



运输

Shipping

每家公司在运输货物时都需要尽可能准确地知道这些货物的重量。发货方需依法在货运单上申报正确的物品重量。确定货运重量或许是这种移动式称重设备最常用的需求。Every company that ships goods needs to know the weight of these goods as accurately as possible. The sender is required by law to declare the correct weight on the shipping documents. Determining shipping weights is probably the most common use of a mobile scale.



进叉并称重

新一代移动式称重系统

Plug and Weigh.

The next generation in mobile weighing.

称重货叉Weigh Forks将运输和称重整合到一起，便捷、高效地实现一步到位，从而节省了作业时间。内置蓝牙装置确保您能够观测并跟踪单个或多个货物的重量。采用无线技术，该系统可便捷地在几分钟之内快速挂装到任何叉车上。

应用场合几乎不受限制，但通常用于来料入仓前控制，预防过载，定量给料，填充，废料管理，拣料和库存控制。

Weigh Forks are designed to save money by combining transport and weighing into one easy and efficient step. View and track the weight of individual loads or multiple loads using integrated Bluetooth® technology. Being wireless, the system can be installed onto any lift truck in a matter of minutes.

The applications are practically limitless, but most commonly used for incoming goods control, overload prevention, dosing, filling, waste management, order picking and inventory control.

高效

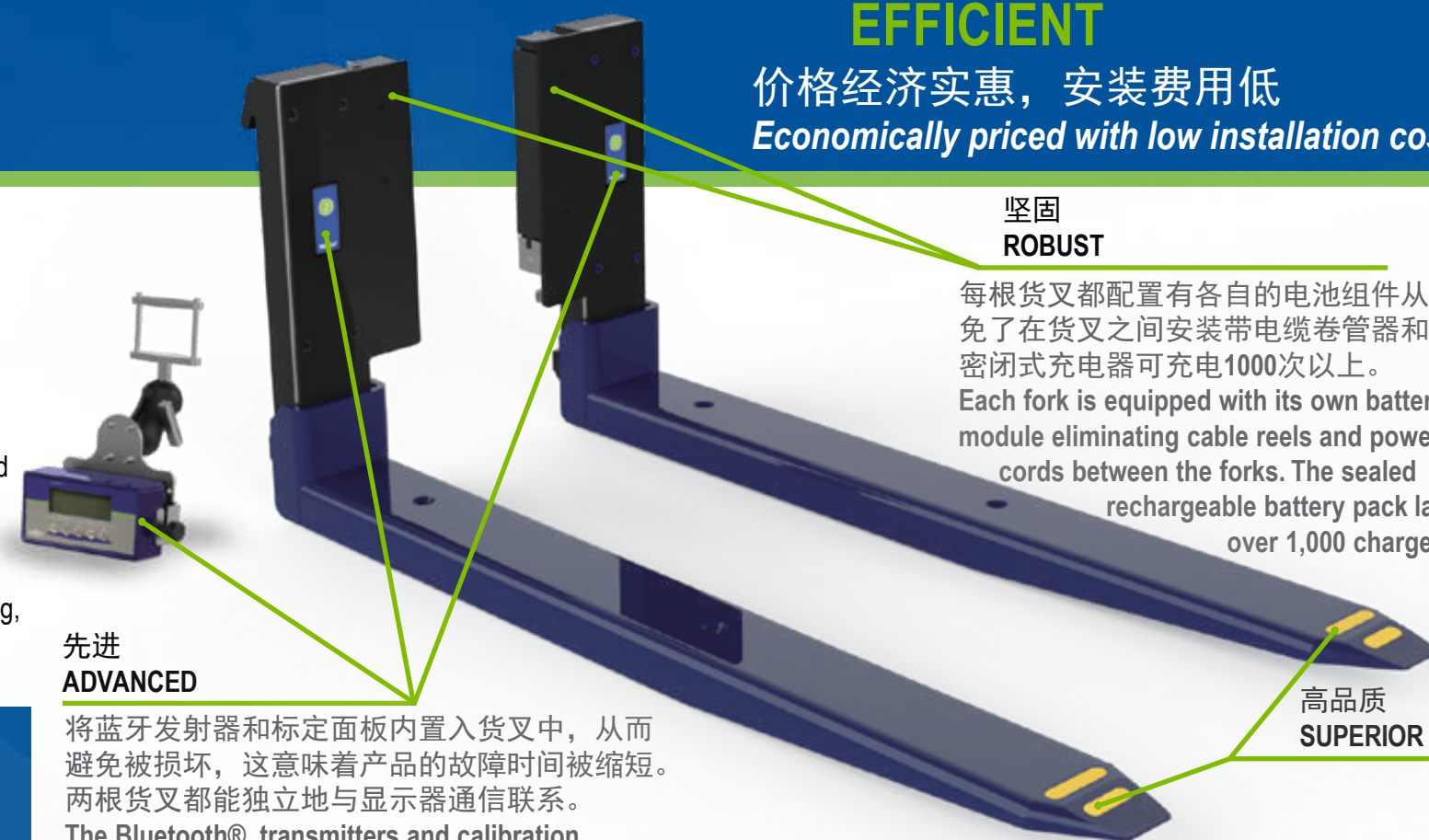
EFFICIENT

价格经济实惠，安装费用低
Economically priced with low installation costs.

坚固

ROBUST

每根货叉都配置有各自的电池组件从而避免了在货叉之间安装带电缆卷管器和电线。密闭式充电器可充电1000次以上。
Each fork is equipped with its own battery module eliminating cable reels and power cords between the forks. The sealed rechargeable battery pack last over 1,000 charges.



先进

ADVANCED

将蓝牙发射器和标定面板内置入货叉中，从而避免被损坏，这意味着产品的故障时间被缩短。两根货叉都能独立地与显示器通信联系。
The Bluetooth® transmitters and calibration board are integrated into the forks to avoid risk of damage which means less downtime. Both forks communicated independently with the driver display.

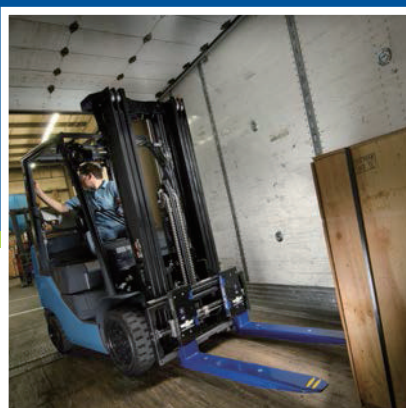
高品质

SUPERIOR

凿形叉尖上嵌入亮黄色标识以便叉车司机在进叉作业时能从货叉上方或下方便捷地看到叉尖。
Chisel tip forks with vibrant yellow inserts ensure that the driver can easily see the fork tips from above and below as they drive into the pallet.

适用于不同工况的型号

A model for any application.



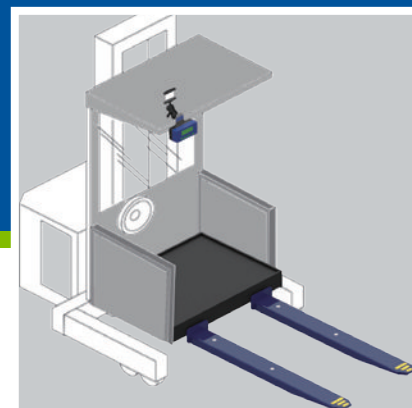
称重货叉
Weigh Forks

称重和运输可便捷地实现一步到位。这款采用全无线设计的系统可在几分钟之内挂装在叉车上，可持续进行称重作业，同时它可结合调距叉进行使用。其中称重部件便于接触到以及进行数字化标定。
Weigh and transport in one easy step. The completely wireless system installs in minutes for weighing on the go and can be used in combination with Fork Positioners. Scale components are easily accessible and digitally calibrated.



物流型称重货叉
Logistics Weigh Forks

该型称重货叉的厚度要比标准型薄，物流型称重货叉适用于叉持标准GMA托盘的叉孔或其它需要薄型货叉叉持的场合。
Featuring a thinner profile than standard Weigh Forks, Logistics Weigh Forks-Pro fit into the fork pockets of standard GMA pallets and other pallets that require a thinner fork.



拣选型称重货叉
Order Picker Weigh Forks

专为特定的拣选叉车而设计。具备我们所有称重货叉Weigh Forks型号的性能特征。
Custom designed to fit your specific Order Picker truck. Provides the ability to utilize all the features of our Weigh Forks.

移动称重系统的可选件和附属装置

Mobile Weighing Options and Accessories



称重货叉Weigh Fork (可适配旋转器)
Rotor Weigh Forks

称重货叉Weigh Forks可挂装在旋转器上使用，非常适合于混合，定量给料和废料管理等场合。
Weigh Forks can be used on Rotators, making them ideal in applications such as mixing, dosing and waste management.



滚轴/销式挂装型称重货叉
Shaft/Pin Type Fork

可适配滚轴或销式挂装的门架，进一步提升了称重货叉Weigh Forks Pro的多功能性。
For use on trucks having a shaft or pin-type carriage enabling Weigh Forks further versatility.



称重货叉打印机
Weigh Forks Printers

热敏式，点阵式或条形码型打印机设备可供选择，用于即时输出货物数据。
Thermal Printers, Dot Matrix Printers or Barcode Printers are available for immediate output of load data.



无论什么类型的货物，我们均能提供最佳搬运解决方案
Whatever the application, we can handle it.