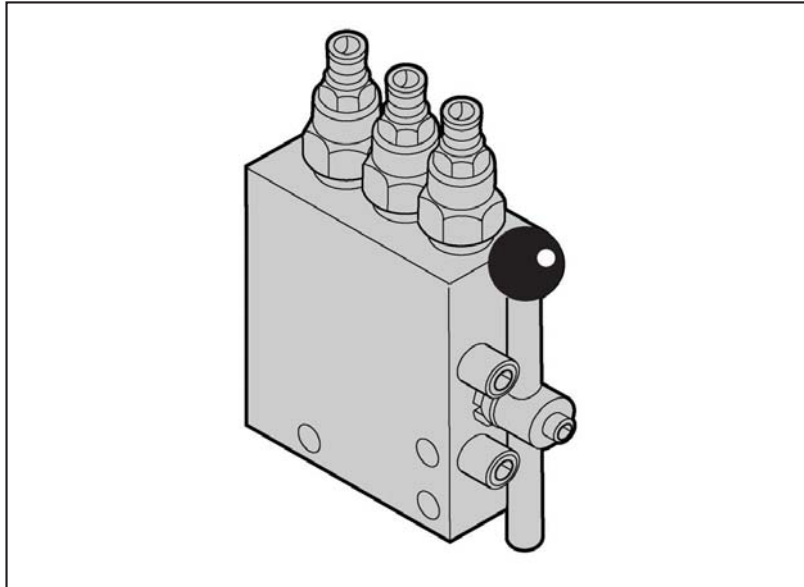




# 安装及使用说明书 INSTALLATION AND INSTRUCTIONS

## 四档调压阀 Four-Position Pressure Regulator Valve



重要提示：该装置系叉车属具配套用，出厂状态不能直接应用于实际作业，需在安装后根据所夹持货物的具体情况，按照本手册中所列步骤进行正确的调定。

卡斯卡特(厦门)叉车属具有限公司

cascade xiamen forklift truck attachment co., ltd.

中国福建省厦门市海沧区阳光路668号

邮编: 361026

No.668Yangguang Road,Haicang,Xiamen,Fujian,361026 P.R.China

电话(Phone):+86 592 6512500

传真(Fax): +86 592 6512571

[www.cascorp.com.cn](http://www.cascorp.com.cn)

[cascade@cascorp.com.cn](mailto:cascade@cascorp.com.cn)



关注官方微信号  
服务网络全知道

- ▲ **警告：** 安装不当是导致故障的第一要素, 请在安装前认真阅读本《安装及使用说明书》。
- ⚙ **重要提示：** 请将工作压力限制在额定范围内。现场改动将减弱属具的性能和承载能力，并导致失去保修资格。任何需要对属具进行的改动，请事先与卡斯卡特公司协商。
- ▲ **注意：** 叉车/属具组合承载能力系由叉车主机厂确定，其值可能比属具铭牌上所示数值小，请参见叉车铭牌。
- ▲ **WARVING:** Incorrect installation is the main cause of Four-Position Pressure Regulator Valve malfunctioning. Please do read this **INSTALLATION AND SERVICE INSTRUCTION** comprehensively before installation.
- ⚙ **IMPORTANT:** Operating at pressures over 2300 psi(160bar)will void warranty. Field alterations may impair performance or capability and could result in loss of warranty. Consult Cascade for any required modifications.
- ▲ **CAUTION:** Rated capacity of the truck/attachment combination is a responsibility of the original truck manufacturer and may be less than shown on the attachment nameplate. Consult the truck nameplate.

## 叉车的匹配参数

### Truck Requirements

根据夹持货物的不同，需要采用不同的夹紧压力。安装四档调压阀(660412)能很方便地解决这个问题，该阀调节范围为7-200Bar (100-3000PSI)，允许最大流量为95LPM (25GPM)。

Install Four-Position Pressure Regulator valve 660412 when it is necessary to limit the clamping force of the attachment arms or to vary the clamping force from load to load. Each cartridge can be adjusted to relieve pressure between 100 and 3000 psi. The valve maximum flow rate is 25 GPM.

- 1、在叉车门架或驾驶室的某一方向位置安装四档调压阀。该阀应尽量安装在靠近叉车多路阀的位置，安装尺寸及安装方法如图1和如图2所示。

Determine a convenient location to mount the valve on the truck cowl, mast or in the driver's compartment. The valve should be mounted as close as possible to the truck valve. See the mounting hole spacing shown below in figure 2. Install 1/4 in. capscrews to fasten the valve in position. See Figure 1.

图1 Figure 1

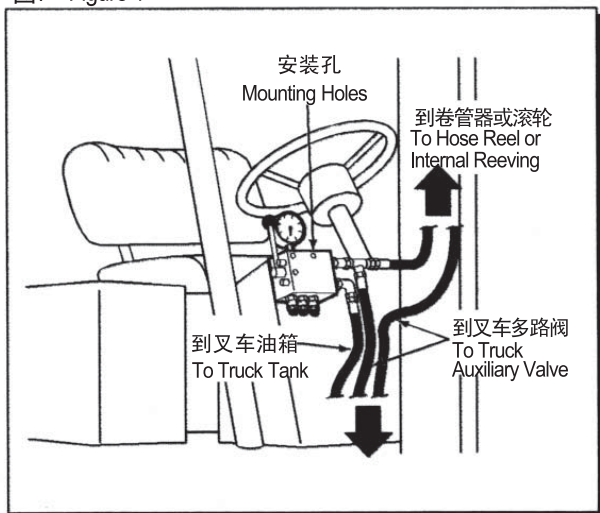
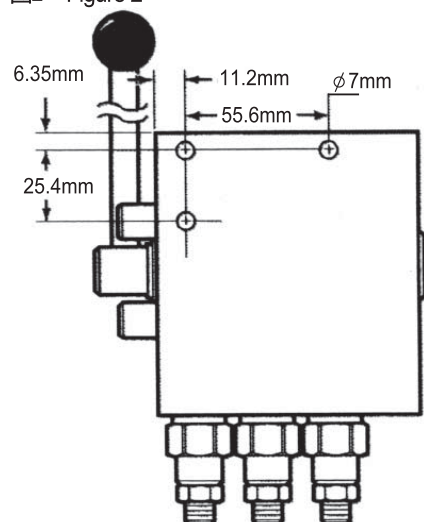


图2 Figure 2



2、在四档调压阀、叉车多路阀和属具阀之间用软管和接头联接，如图3所示。

注：除非阀体和操纵手柄的转轴已严重损坏，否则不得随意拆下四档调压阀操纵手柄的转轴。

Attach hoses and fittings between the Pressure Regulator Valve, Truck Auxiliary Valve, Truck Tank and Attachment Valve. See Figure 3.


**CAUTION:** The valve handle shaft cannot be removed without permanently damaging the body and shaft. Attempting to remove the shaft will void the warranty.

3、安装时，为使操纵手柄运动最灵活，如图4所示装上手柄止动块。

Position the handle stops as shown in Figure 4 to provide the most convenient movement of the valve handle for the installation.

4、在四档调压阀上安装3000PSI的压力表零件号664158，如图3所示。

To preset the valve relief cartridges, install a 3000 psi pressure gauge (Part No. 664158) in the valve gauge port. See Figure 3.

 注：在安装压力表前，应先泄压叉车液压系统。  
**WARNING:** Relieve truck pressure prior to installing the pressure gauge.

5、将手柄置于阀体上标有“1”的位置（注：指操纵手柄转轴上标志“”指向“1”，以下同），如图4所示。  
 Shift the valve handle pointer to position "1" stamped on the valve body. See Figure 4.

图3 Figure 3

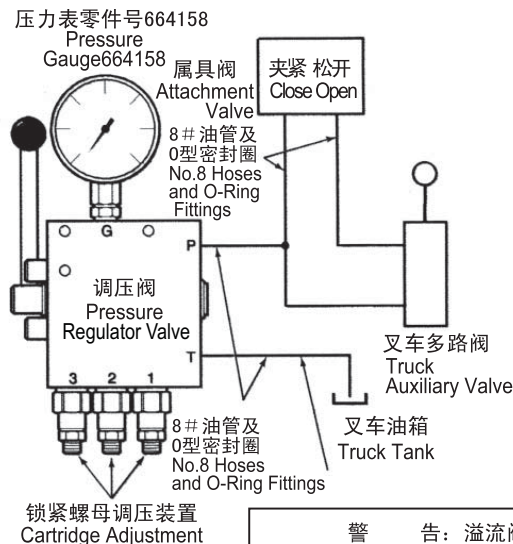
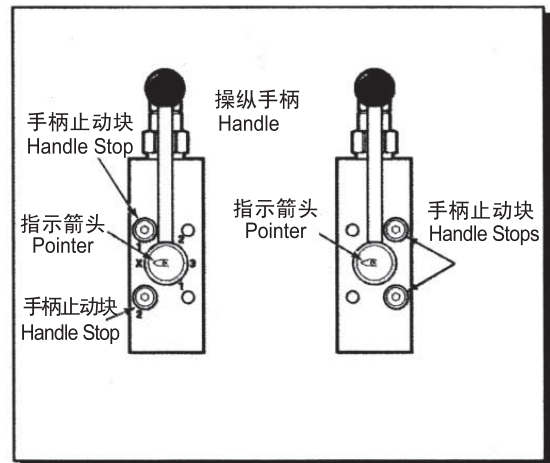



图4 Figure 4



 警告：溢流阀口“T”型应连接到叉车回油箱，以确保阀体正常运行。  
**WARNING:** A dedicated hydraulic line is required from the relief valve "T" port to the truck tank for the valve to function properly.

6、拧松“1”号调压装置的锁紧螺母，用内六角扳手旋动调压螺栓进行调压。

旋进：增大压力

旋出：降低压力

Loosen the jam nut on the No.1 relief cartridge. Adjust the relief cartridge (3/16" allen hex wrench) inward to raise pressure or outward to lower the pressure.

7、启动叉车液压系统，使夹臂处于完全夹紧位置，压力表可显示夹紧压力，调整压力到所要求的值，然后拧紧锁紧螺母。

Actuate the truck hydraulic system to fully close the attachment arms. Check the pressure adjustment and readjust as required. Tighten the jam nut.

8、将手柄置于阀体上标有“2”的位置。重复步骤6和7，对调压装置“2”进行调压。

Shift the valve handle pointer to position "2" stamped on the valve body. Repeat step 6 and 7 for No.2 relief cartridge.

9、将手柄置于阀体上标有“3”的位置。重复步骤6和7，对调压装置“3”进行调压。

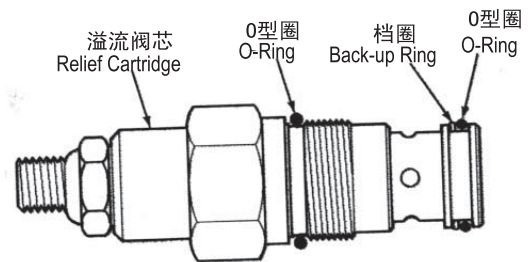
Shift the valve handle pointer to position "3" stamped on the valve body. Repeat step 6 and 7 for No.3 relief cartridge.

10、当手柄转轴“>”指向“X”位置时，调压阀不起作用，夹紧压力由叉车多路阀内的安全阀控制。

When the handle pointer is in the "X" position, pressure regulator valve has no effect. The pressure to the attachment is determined by trucksystem pressure.

### 更换件 Replacement Parts

数量 Qty	名称 Description	零件号Part No.
3	带密封圈溢流阀芯 Relief Cartridge with Seals	661676
3	密封件维修包 Seal Service Kit	669597



## 用户注意事项

### END USER PLEASE NOTICE

日常的维护保养对于保证叉车属具产品的正常功能及使用寿命至关重要，详细事项请参见卡斯卡特叉车属具用户手册及维修手册，或者请首先向售出该产品的叉车主机厂或其代理商咨询。

卡斯卡特(厦门)公司也将非常乐意回答您在这方面任何感兴趣的问题。

请洽：

卡斯卡特(厦门)叉车属具有限公司

厦门售后服务中心

电话：+86 592 6885336

传真：+86 592 6512571

The daily inspection and periodic maintenance is very important for ensuring the normal performance and durable service life of the Forklift truck Attachment. For details, please consult the Cascade Xiamen Forklift truck attachment User Manual or Service Manual.

You could also primarily consult with the forklift OEM or its Dealer from whom you purchased this equipment. Of course, Cascade Xiamen is willing to answer any questions of your interest,too.

Please contact:

After Service Center,

Cascade Xiamen Forklift Truck Attachment Co.,Ltd.

Phone: +86 592 6885336

Fax: +86 592 6512571